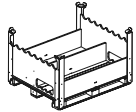
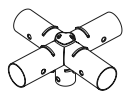
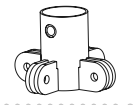


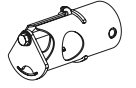
BOX CONTENTS


Lounger Large

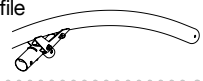
- 1x **CS-0733**
Transportbox
 

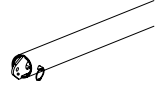
- 1x **CS-0628**
X-connector
 

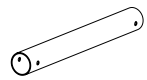
- 1x **CS-0629**
Center sub connector
 

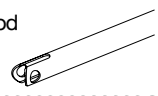
- 4x **CS-0715**
End connector
 

- 4x **CS-0398**
Leg profile
 

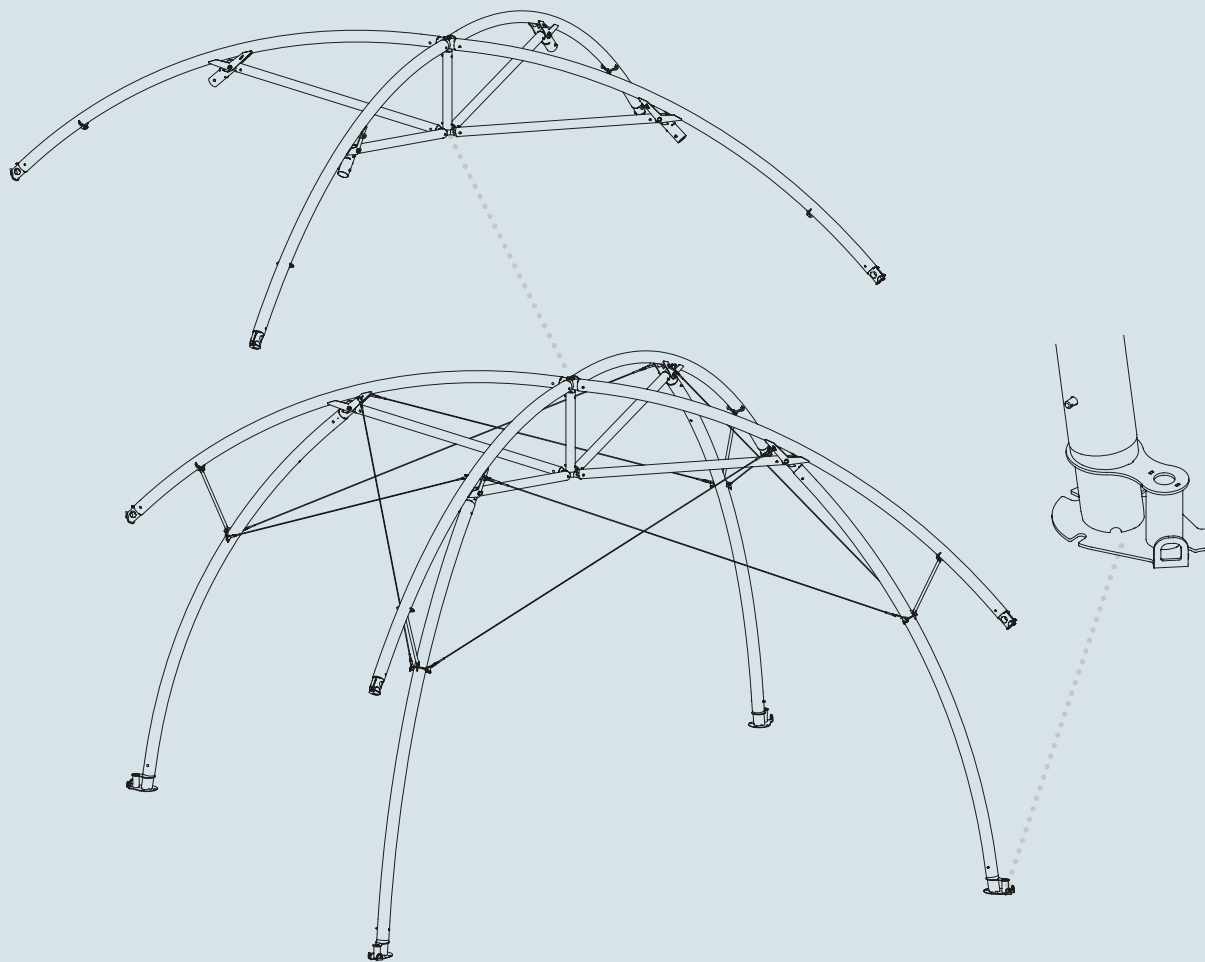
- 4x **CS-0721**
Roof profile
 

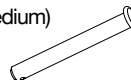
- 4x **CS-0722**
Sub profile
 

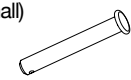
- 1x **CS-0633**
Center profile
 


- 4x **CS-0724**
Stabilization rod
 

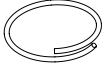
L

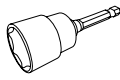


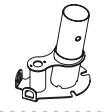
- 20x **CS-0093**
Locking pin (medium)
ø90 mm profile
 


- 8x **CS-0105**
Locking pin (small)
ø70 mm profile
 

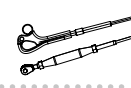
- 15x **CS-9064**
Clevis pin 10x30
 

- 46x **CS-0248**
Securing ring
 

- 1x **CS-0965**
Adapter tool
 

- 4x **CS-0408**
Foot
 

- 6x **CS-0409**
Main cable
 

- 2x **CS-0723**
Tensioning cable
 

- 4x **CS-0698**
Positioning cable
 