
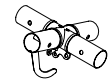



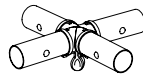
BOX CONTENTS

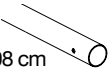
Crossover L

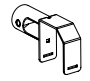
- 1x **CS-0233** Transportbox 


- 4x **CS-0050** X-connector 


- 28x **CS-0049** Main profile $\varnothing 90$ mm - 219 cm 


- 1x **CS-0334** Sub frame center 


- 4x **CS-0335** Sub frame beam $\varnothing 70$ mm - 108 cm 


- 4x **CS-0336** Sub frame connector 


- 4x **CS-0337** Locking strip 


- 4x **CS-0051** T-Connector Upper Left Marked with "UL" 

- 4x **CS-0056** T-Connector Upper Right Marked with "UR" 

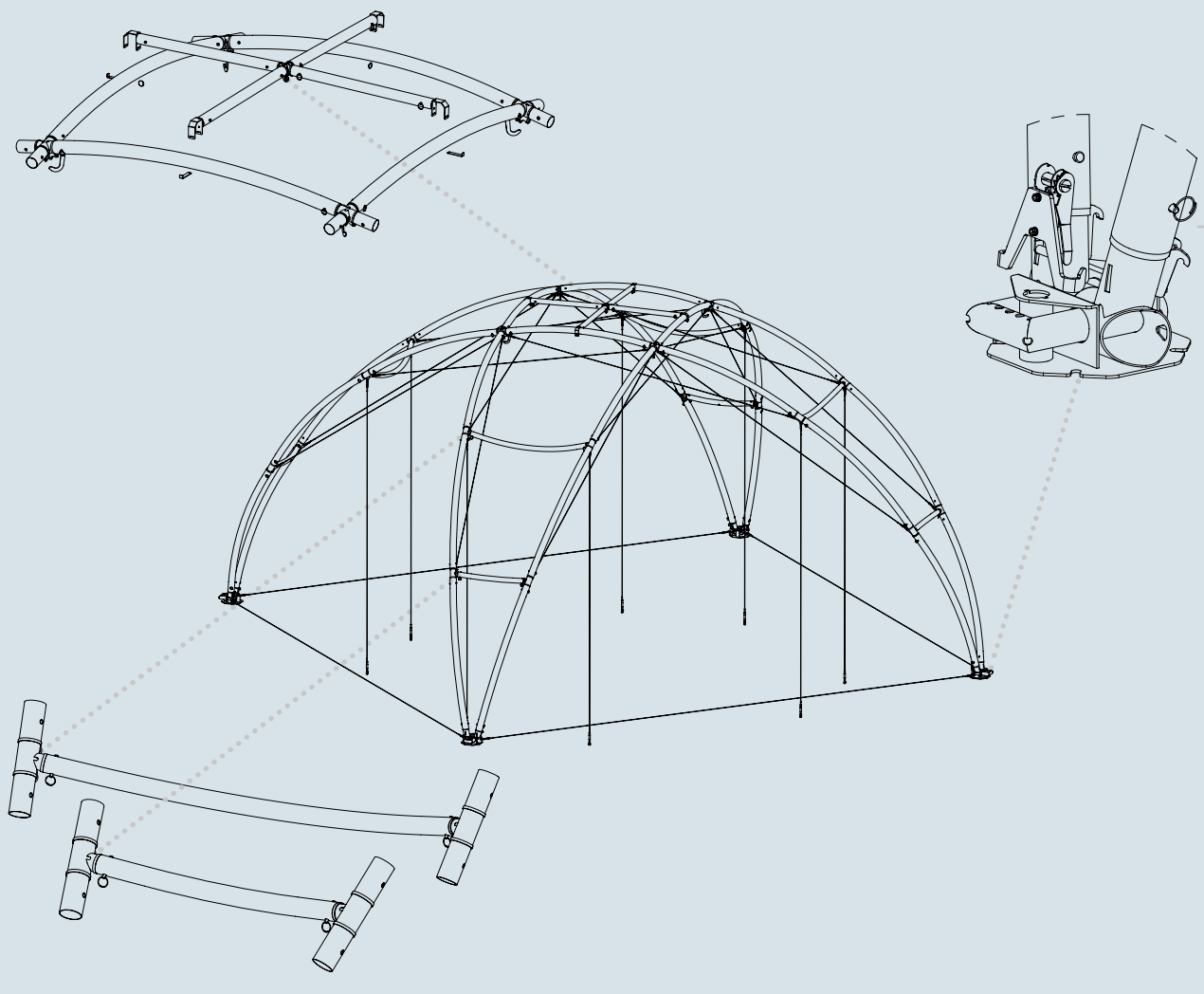
- 4x **CS-0054** Upper sub profile $\varnothing 70$ mm - 179 cm 

- 4x **CS-0052** T-Connector Lower Left Marked with "LL" 

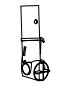
- 4x **CS-0057** T-Connector Lower Right Marked with "LR" 


- 4x **CS-0055** Lower sub profile $\varnothing 70$ mm - 101 cm 


L

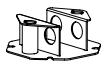



- 70x **CS-0093** Locking pin $\varnothing 90$ mm profile 
- 30x **CS-0105** Locking pin $\varnothing 70$ mm profile 
- 110x **CS-0248** Securing ring 


- 4x **CS-0058** Foot connector Left 


- 4x **CS-0108** Foot connector Right 

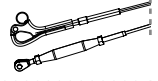
- 4x **CS-0099** Anchor slide 


- 4x **CS-0148** Anchor support 


- 4x **CS-0236** Ratchet plate 


- 8x **CS-0490** Turn buckle 


- 16x **CS-0086** Main cable 

- 8x **CS-0234** Tension cable 

- 4x **CS-0235** Positioning cable 

- 4x **CS-0489** Pull bar 

- 1x **CS-9012** Big Bag 

- 1x **CS-9013** Rope 25 m. 

- 1x **CS-9037** Strap 4 m. 